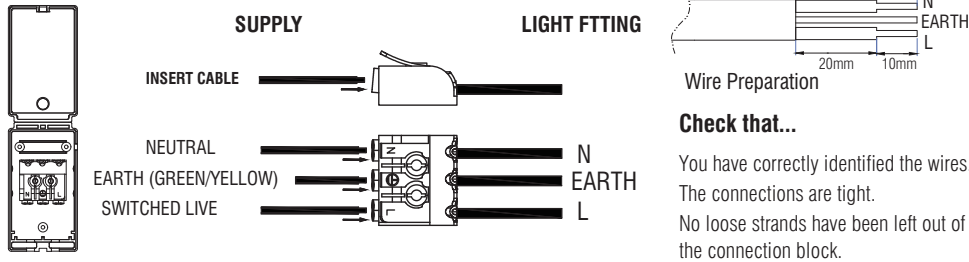


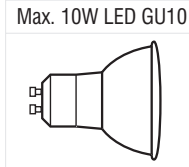
Wiring

Unclip the cover from the quick fit connection case. Having correctly identified the wiring from your existing light fitting, pull the mains wire through the hole and connect to the connection block inside the quick fit connection case in the following way. No tools are necessary.



Fitting/Replacing the bulb: Max. 10W LED GU10

When changing a bulb, always switch off at the mains and allow the bulb to cool before handling. Dispose of used bulbs carefully and responsibly. Use a soft cloth to handle bulbs, avoid directly touching the bulbs as this will shorten their life. Do not exceed the wattage stated or use a different shape bulb from that indicated on the fitting. Use of the incorrect bulb will damage the product and invalidate the guarantee. Check with your retailer re bulb dimming capability before purchasing replacement bulbs.



Technical data

Supply Voltage: 220-240 V~, 50 Hz

Bulb Type: Max. 10W LED GU10 (required)

UK CA Conformity with all relevant UKCA Directive requirements.

This product is suitable for dimming with a dimmable lamp.

CE Conformity with all relevant EC Directive requirements.

This product fire rated to 30, 60 & 90 minutes.

This is a Class 1 product and must be earthed.

This product is rated at IP65.

I-Joist certified to 30 mins

Steel open web joist certified to 30 mins

Waste electrical products should not be disposed of with household waste. Please recycle where facilities exist. Check with your Local Authority or local store for recycling advice.

Care and Safety

We recommend cleaning with a soft dry cloth. Do not use solvents or abrasive cleaners as these could damage the finish. For your safety, always switch off the power supply before cleaning.

Always disconnect the product from mains at least 10 minutes allowing to cool down before any maintenance or adjustment.

V3 10/10/2024

UK Manufacturer: BH17 7BY
EU Manufacturer: Brilliant AG,
Brilliantstrasse 1, D-27442 Gnarrenburg

saxby
lighting

Instruction manual

Saxby ShieldONE 65/75 Fire-Rated Open Can

109807, 109808, 113321, 113322



109807,113321 ShieldONE 65

109808, 113322 ShieldONE 75

www.saxbylighting.com

saxby
lighting

Thank you for purchasing this light fitting. Please read the instructions carefully before use to ensure safe and satisfactory operation of this product. Please retain these instructions for future reference.

Warning

This is a Class 1 product and must be earthed.

Please read these instructions carefully before commencing any work.

This unit must be fitted by a competent and qualified electrician.

Install in accordance with the IEE Wiring regulations and current Building Regulations.

Check the pack and make sure you have all the parts listed.

To prevent electrocution switch off at the mains supply before installing or maintaining this fitting. Ensure other persons cannot restore the electrical supply without your knowledge. If you are in any doubt, please consult a qualified electrician.

This light fitting should be connected to a fused circuit.

If replacing an existing fitting, make a careful note of the connections.

Always use the correct type and wattage bulb. Never exceed the wattage stated.

When changing a bulb, always switch off at the mains and allow the old bulb to cool down before handling.

Dispose of used bulbs carefully and responsibly.

This product is suitable for dimming when used in conjunction with a dimmable lamp. please ensure verification of dimming abilities with the lamp manufacture prior to use.

Waste electrical products should not be disposed of with household waste. Please recycle where facilities exist. Check with your local authority or retailer for recycling advice.

Layout

Plan the desired layout of these fittings carefully, ensuring the cables will reach the distances between light fitting.

Avoid locating any cables in positions that would cause a hazard. Position cables and junction boxes (not supplied) away from areas where they may be at risk from being cut, trapped or damaged.

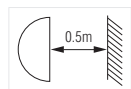
The mains supply cable must have a minimum cross section area of 1.0mm²

Cables must be protected using suitable conduit or plastic trunking.

This product must be mounted out of arms reach.

The unit must be located a minimum distance of 50mm from a joist.

The distance between units must be 0.5m minimum.



Spotlights give a concentrated beam of light and must not be positioned any closer than 0.5m (50cm) to the illuminated surface.

Installation

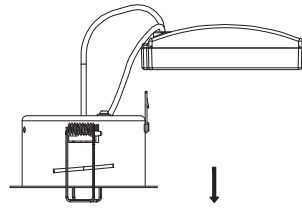
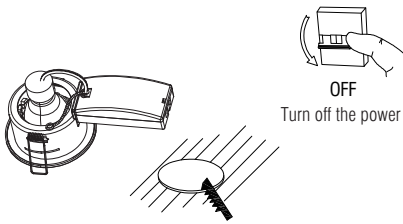
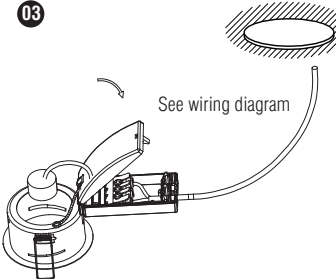
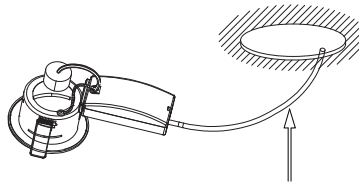
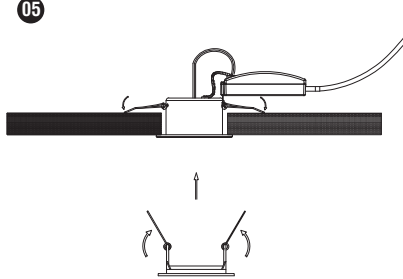
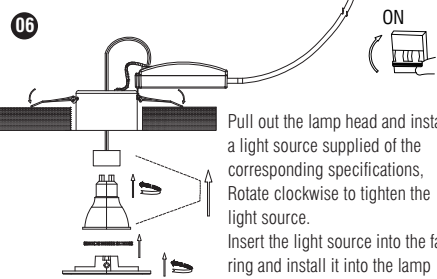
Existing fittings must be completely removed before installation of a new product. Before removing the existing fitting, carefully note the position of each set of wires.

Note that the switch is turned off before installation.

The ceiling surface must be flat and smooth to ensure a good fit.

After deciding the layout of the light fittings ensure that the cables are long enough to connect to desired positions.

Follow the installation steps below to install.

<p>01</p>  <p>Insert the junction box into the bracket as shown in the diagram.</p>	<p>02</p>  <p>OFF Turn off the power</p> <p>Cut hole: Ø65mm for 109807, 113321 Cut hole: Ø75mm for 109808, 113322 Minimum cavity depth: 70mm</p>
<p>03</p>  <p>See wiring diagram</p> <p>Open the junction box and connect the power supply</p>	<p>04</p>  <p>Install upwards on the ceiling hole</p>
<p>05</p>  <p>Push the spring clips upwards and fit into the ceiling hole, then push the unit up until firmly in position</p>	<p>06</p>  <p>ON</p> <p>Pull out the lamp head and install a light source supplied of the corresponding specifications, Rotate clockwise to tighten the light source. Insert the light source into the face ring and install it into the lamp tube, Rotate clockwise and tighten to complete installation. Turn on the power. Additionally, when replacing the light source, rotate anticlockwise to remove the cover and light source.</p>